

## New product

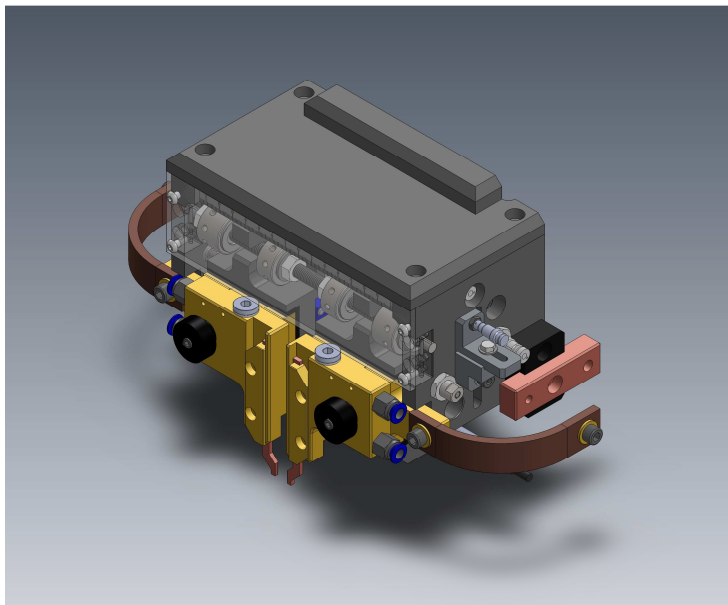
### PNEUMATIC PARALLEL CLAMPS

**Soudax code: 61500826**

**Designation: Pneumatic parallel clamps without frame**

Auto centring system on the welding area  
Adjustable limit stop opening & closing  
Interface for displacement control (CCE)  
Interface for water cooling  
Easy interchangeable electrode holders  
Opening sensors  
Hydraulic shock absorbers limit stroke  
Max force: 30 daN /Max stroke: 20 mm  
Delivered with proportional valve  
W: 260 mm / H: 150 mm / D: 140 mm  
Weight: 6.1kg

**Price EXW to customer: 8206€**

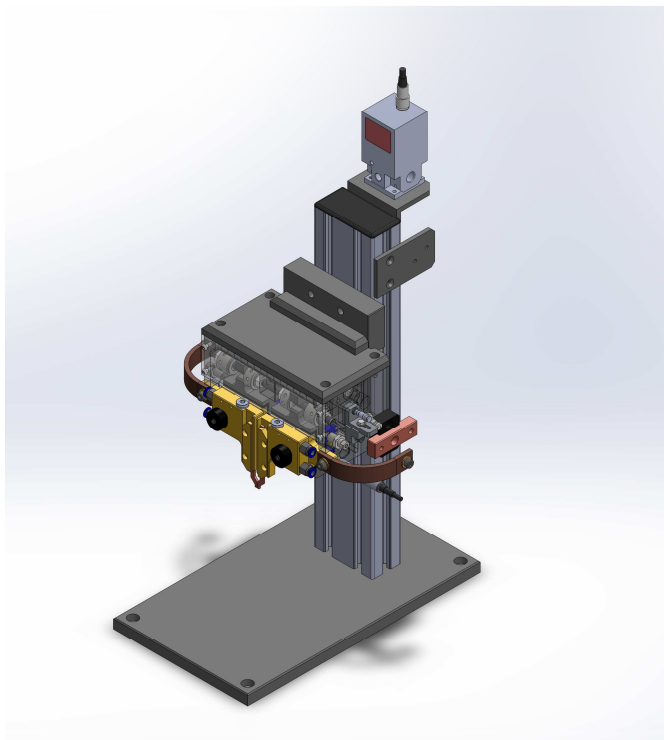


**Soudax code: 61501589**

**Designation: Pneumatic parallel clamps with frame**

Auto centring system on the welding area  
Adjustable limit stop opening & closing  
Interface for displacement control (CCE)  
Interface for water cooling  
Easy interchangeable electrode holder  
Opening sensors  
Hydraulic shock absorbers limit stroke  
Max force: 30 daN /Max stroke: 20 mm  
Delivered with proportional valve  
W: 260 mm / H: 150 mm / D: 140 mm  
Weight: 6.1kg

**Price EXW to customer: 8873€**



***With medium frequency generator order CCVP - Price EXW to customer: 2015€***

Celine Cochet Vedel  
Soudax Export Manager